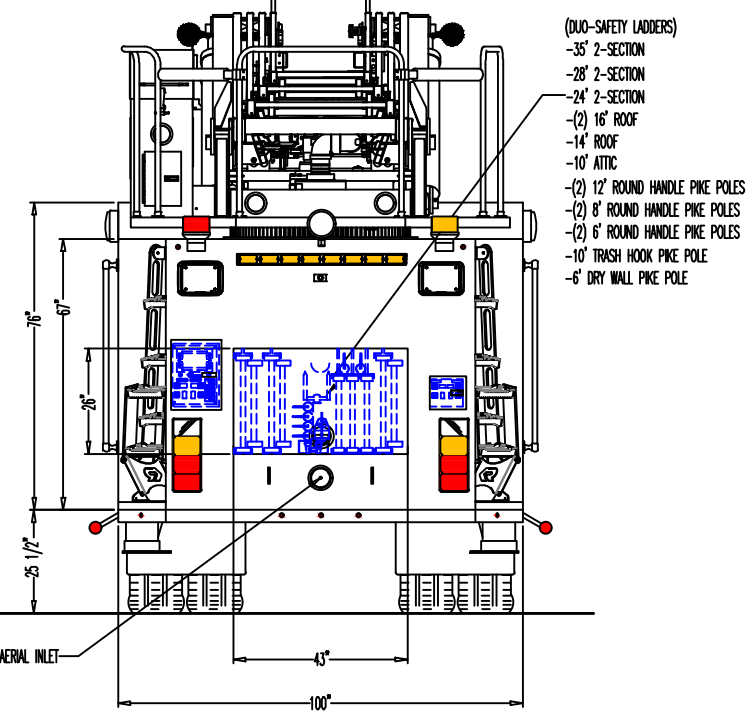
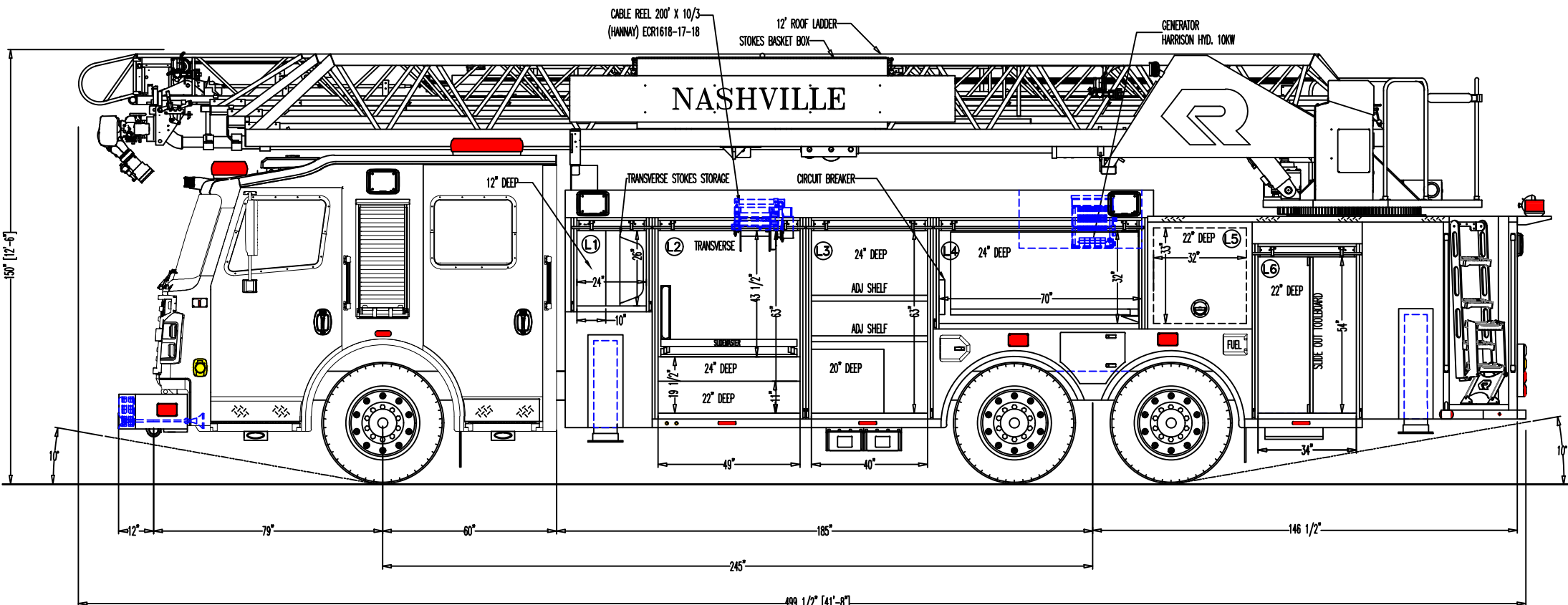


COMPARTMENT DIMENSIONS				
LOCATI ON	WIDTH	HEIGHT	DEPTH	VOLUME IN CUBIC FEET
L1F	10	26	12	1.8
L1R	14	26	48	10.1
L2L	49	19.5	24	13.3
L2U	49	43.5	48	59.2
L3	40	63	24	35.0
L4	70	32	24	31.1
L5	32	33	22	13.4
L6	34	54	22	23.4
R1F	10	26	12	1.8
R1R	14	26	48	10.1
R2L	49	19.5	24	13.3
R2U	49	43.5	48	59.2
R3	40	63	24	35.0
R4	70	32	24	31.1
R5	32	33	22	13.4
R6	34	54	22	23.4
TOTAL				374.6528



- (DUO-SAFETY LADDERS)
- 35' 2-SECTION
- 28' 2-SECTION
- 24' 2-SECTION
- (2) 16' ROOF
- 14' ROOF
- 10' ATTIC
- (2) 12' ROUND HANDLE PIKE POLES
- (2) 8' ROUND HANDLE PIKE POLES
- (2) 6' ROUND HANDLE PIKE POLES
- 10' TRASH HOOK PIKE POLE
- 6' DRY WALL PIKE POLE

NOTES:  
 1. OVERALL HEIGHT IS IN LOADED CONDITION. UNLOADED HEIGHTS MAY BE 4" ABOVE HEIGHTS SHOWN.  
 2. DO NOT SCALE DRAWING.  
 3. ALL DIMENSIONS ARE APPROXIMATE AND SUBJECT TO ENGINEERING CHANGES.  
 4. DRAWING MAY OR MAY NOT SHOW ALL ITEMS AS DESCRIBED IN THE WRITTEN DETAIL SPECIFICATIONS.  
 5. INCLUSION OF AN ITEM ON THE DRAWING DOES NOT CONSTITUTE INCLUSION OF THAT ITEM WITH THE FINAL DELIVERED UNIT.

REVISED: ATG DATE: 05-13-2022 (R-06)  
 REVISED: ATG DATE: 12-15-2021 (R-05)  
 REVISED: MDL DATE: 06-29-2021 (R-04)  
 DRAWN: CRL DATE: 03-12-2021 (P7211-02)

PROPRIETARY AND CONFIDENTIAL  
 THE INFORMATION CONTAINED IN THIS DRAWING IS  
 THE SOLE PROPERTY OF ROSEBAUER. ANY  
 REPRODUCTION IN PART OR AS A WHOLE WITHOUT  
 THE WRITTEN PERMISSION OF ROSEBAUER IS  
 PROHIBITED.

APPROVED BY:

MAXIMUM HEIGHT	12'6"
MAXIMUM LENGTH	N/A
BODY WIDTH	100"

39" FRAME HEIGHT

CHASSIS: ROSEBAUER R6008
PUMP: NA
TANK: NA
TYPE: AERIAL
AERIAL: 109' VIPER

NASHVILLE



ROSEBAUER EXT  
 75288-90 P7989 06